

CONTINUOUS OPERATION FOR OVER 150 YEARS

BINGHAM

&

T

A

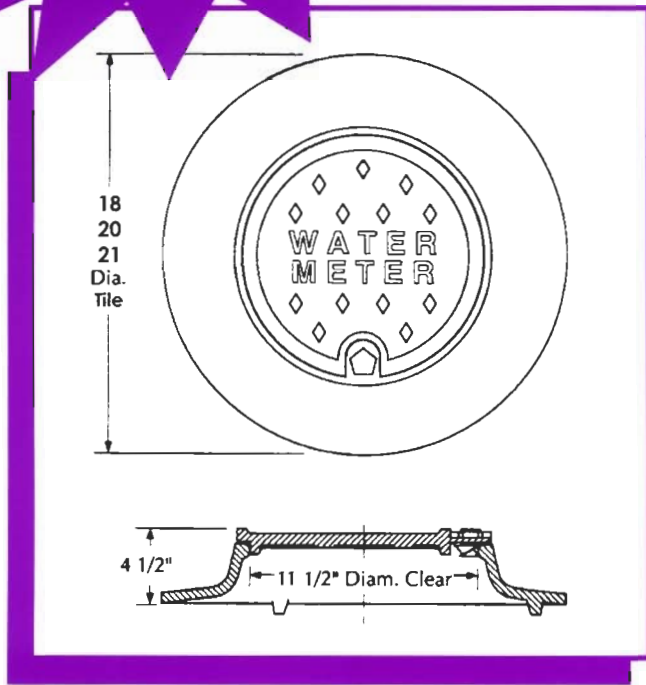
Y

L

O

R

**Introducing
Our Large Variety
of Meter Frames
and Covers**



P.O. Box 939 ● Culpeper, VA 22701 ● 540-825-8334 ● Fax: 540-825-2173
Email: bandt@ns.gemlink.com ● Website: www.gemlink.com/~bandt/

**Quality Products
Made in America**

Re-Issue# 22141

Meter Frames & Covers Type - A



Insert (Recessed) style lid allows flush installations with the surface of the sidewalk or lawn. Locking lids have a standard Pentagon Bolt unless a larger size bolt is specified when ordering. Lifter Worm Lock is standard with lids.

Catalog Numbers For Covers with Locking Lids	Lid Size	Tile Size I.D.	Approx. Wt. Lbs.
BTA-32	11 1/2"	18"	36.0
BTA-3	11 1/2"	20"	47.0
BTA-4	11 1/2"	21"	48.0

HEAVY METER FRAME & COVERS

BTA-32H	11 1/2"	18"	55.0
BTA-3H	11 1/2"	20"	58.0

LIDS ONLY FOR TYPE-A FRAMES

Lid Size	Locking Lid	Single Hole	Double Hole	Approx. Wt. lbs.
11 1/2"	BTA3L	BTA3L-T	BTA3L-TT	9.0
11 1/2" Heavy	BTA3HL	BTA3HL-T	—	22.0

Meter Frames & Covers Type - C

Overlapping (Raised) style lid is primarily for installation in lawns. Locking Lids have a standard Pentagon Head Bolt, unless a larger size bolt is specified when ordering. Lifter Worm Lock is standard with lids.



Catalog Numbers For Covers with Locking Lids	Lid Size	Tile Size I.D.	Approx. Wt. Lbs.
BTC-12	8"	18"	30.0
BTC-32	11 1/2"	18"	32.5
BTC-3	11 1/2"	20"	37.5
BTC-4	11 1/2"	21"	40.0

HEAVY METER FRAME & COVERS

BTC-32H	11 1/2"	18"	55.0
BTC-3H	11 1/2"	20"	58.0

LIDS ONLY FOR TYPE-C FRAMES

Lid Size	Locking Lid	Single Hole	Double Hole	Approx. Wt. lbs.
8"	BTC1L	—	—	6.0
11 1/2"	BTC3L	BTC3L-T	BTC3L-TT	9.0
11 1/2" Heavy	BTC3HL	BTC3HL-T	—	24.0

Special Spiked Frame & Cover



This special Frame & Cover can be ordered with or without spikes. The Frame & Cover inset (Recessed) style lid allows flush installation. The spiked Frame & Cover prevents settling when installed in a concrete walk or driveway. This lid is interchangeable with the C-type lid. When ordering specify, with or without spikes.

Catalog Numbers For Covers with Locking Lids	Lid Size	Tile Size I.D.	Approx. Wt. Lbs.
WITH SPIKES BTA-32C	11 1/2"	18"	37.0
WITHOUT SPIKES BTA-32C BTA-3C	11 1/2" 11 1/2"	18" 20"	36.0 42.0

Lid Size	Locking Lid	Single Hole	Double Hole	Approx. Wt. lbs.
11 1/2"	BTC3L	BTC3L-T	BTC3L-TT	13.0

Optional Lids for Type-A & Type-C Frames (Touch Read)



11 1/2" BTA3L-PW



8" BTC1L-WS
Dual Purpose

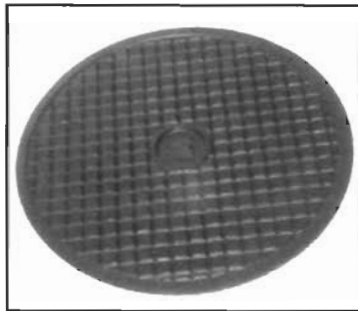


11 1/2" BTC3L-WS
11 1/2" BTA3L-WS
Dual Purpose

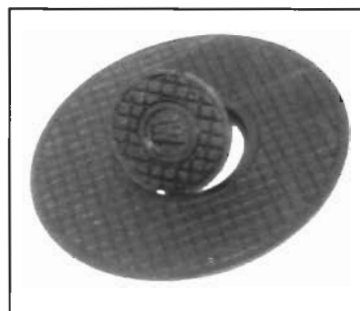


11 1/2" BTC3L-WSDD
Double Dual Purpose

Flat Covers



Solid Cover



Flipper

Catalog Numbers with Flipper Lid	Catalog Numbers without Flipper Lid	Tile Size	Approx. Wt. Lbs.
	#720 Light Wt.	18"	31.0
#6130-18 Light Wt.		18"	40.0
#6140-18 Heavy Wt.		18"	110.0
#6160-24 Light Wt.		24"	115.0
#6165-24 Heavy Wt.		24"	120.0
#6190-27 Light Wt.		24"	115.0
#6195-27 Heavy Wt.		24"	120.0

Extension Ring Adapts 24" Flat Covers to Fit 30" & 36" Tile



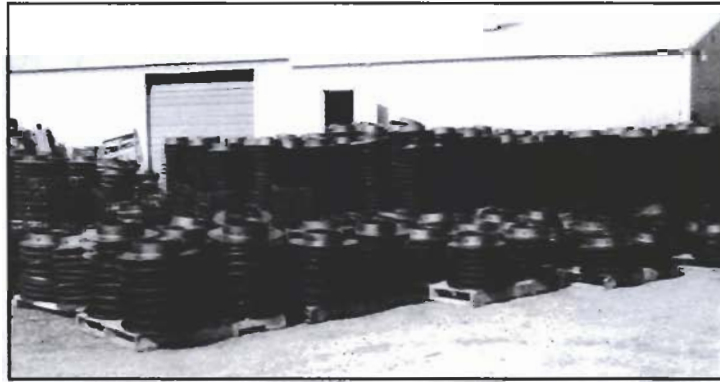
Catalog Numbers	Tile Size	Approx. Wt. Lbs.
#6170-36 Light Wt.	30" & 36"	160.0
#6175-36 Heavy Wt.	30" & 36"	175.0

Meter Boxes



Other sizes are
available upon request.

Available Sizes
18 x 24
18 x 30
18 x 36
20 x 24
20 x 30
20 x 36
21 x 24
21 x 30
21 x 36
24 x 24
24 x 30
24 x 36
30 x 30
30 x 36
36 x 36



BINGHAM & TAYLOR IS COMMITTED...

to the Meter Frame and Cover Market. We are committed to providing our customers with a quality product delivered on time.

The research and development team at Bingham & Taylor is a proud group ready to work with you on specific design needs.



Limited Warranty Statement

Seller will replace or repair, at the option of Seller, free of charge, any product which had failed in normal use and service within 90 days of date of passage of title to Buyer due to defects in material or workmanship. Seller must be given prompt written notice of such failure, and the product must be returned to Seller.

The provisions of this warranty shall not apply to any product which has not been properly installed, or subjected to misuse, negligence or accident or which shall have been repaired or altered in any way so as, in the judgement of Seller, to affect adversely its performance and reliability nor to any product which is used for a purpose for which it is not designed.

This warranty to replace or repair defective products is buyer's exclusive remedy and is expressly in lieu of and is hereby in disclaimer of any implied warranties or merchantability and fitness for a particular purpose as well as all other implied warranties, in law or equity, and of all other obligations or liabilities on seller's part. Seller's agreement hereunder runs only to buyer and does not extend expressly or by implication to any other person. In the event seller shall be liable for incidental or consequential damages, loss of anticipated profit or other economic loss.

In the event that the other remedies fail of their essential purpose. Buyer's sole and exclusive remedy shall be, upon return of the goods, the refund of whatever portion of the purchase price has been paid.

Termination

Seller may, at its option, terminate this agreement whenever Buyer shall fail to comply with any of the provisions hereof.

BINGHAM & TAYLOR



P.O. Box 939 • Culpeper, VA 22701 • 540-825-8334 • Fax: 540-825-2173
Email: bandt@ns.gemlink.com • Website: www.gemlink.com/~bandt/