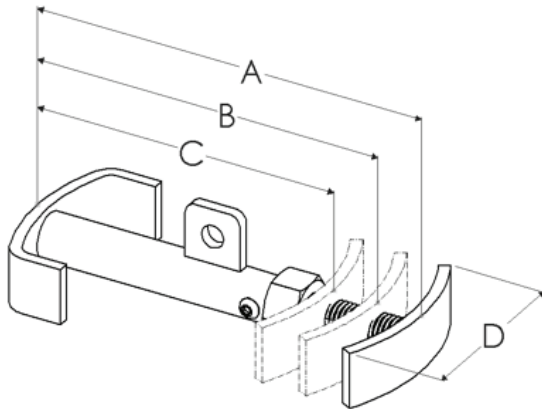




# Valve Sentinel Security Lock Components

EXPANDER NUMBER	MODEL	A (MAX BOX)	B (MIN BOX)	C (FULLY COMPRESSED)	D (SHOE WIDTH)	WRENCH SIZE
1	BGBEXP06.50	6½"	5¾"	5⅝"	3"	15/16"
2	BGBEXP07.50	7½"	6½"	6⅜"	3½"	15/16"
3	BGBEXP08.75	8¾"	7½"	7¼"	4"	1¼"
4	BGBEXP10.50	10½"	8¾"	8⅜"	4¾"	1¼"
5	BGBEXP12.75	12¾"	10½"	10"	6"	1¼"



SECURITY PLATE NUMBER	MODEL	DESCRIPTION
1	BGBPLATE-05.75	5-3/4" Diameter Below Ground Barrier Plate
2	BGBPLATE-06.50	6-1/2" Diameter Below Ground Barrier Plate
3	BGBPLATE-07.75	7-3/4" Diameter Below Ground Barrier Plate
4	BGBPLATE-08.50	8-1/2" Diameter Below Ground Barrier Plate
5	BGBPLATE-10.75	10-3/4" Diameter Below Ground Barrier Plate
6	BGBPLATE-11.50	11-1/2" Diameter Below Ground Barrier Plate

## Valve Sentinel Security Lock Sizing Guide

PRODUCT DESCRIPTION	EXPANSION BAR NUMBER	EXPANSION BAR CODE	COVER PLATE NUMBER	COVER PLATE CODE
5-1/4" SLIP VALVE BOXES WATER AND GAS	1	BGBEXP06.50	1	BGBPLATE-05.75
5-1/4" SCREW VALVE BOXES WATER AND GAS	1	BGBEXP06.50	1	BGBPLATE-05.75
SERIES 500 & 600 5-1/4" PLASTIC VALVE BOXES	1	BGBEXP06.50	1	BGBPLATE-05.75
5-1/4" CAST IRON/PLASTIC (CIP) VALVE BOXES	1	BGBEXP06.50	1	BGBPLATE-05.75
# 74, 75 & 76 - 7" SLIP OR SCREW VALVE BOX	3	BGBEXP08.75	3	BGBPLATE-07.75
#107 - 8" CLEAN OUT COVER	3	BGBEXP08.75	2	BGBPLATE-06.50
#178 - SQUARE HEAD DRIP BOX	3	BGBEXP08.75	3	BGBPLATE-07.75
#1975 CLEANOUT BOX	4	BGBEXP10.50	4	BGBPLATE-08.50
MARK V VALVE BOX	4	BGBEXP10.50	3	BGBPLATE-07.75
MARK V TRIANGLE BOX	4	BGBEXP10.50	3	BGBPLATE-07.75
MARK VII VALVE BOX	4	BGBEXP10.50	4	BGBPLATE-08.50
9" PECO VALVE BOX	4	BGBEXP10.50	4	BGBPLATE-08.50
10" RD RIM	4	BGBEXP10.50	4	BGBPLATE-08.50
#199 RD RIM	5	BGBEXP12.75	6	BGBPLATE-11.50
#48 DRIP BOX	5	BGBEXP12.75	6	BGBPLATE-11.50
12" PECO VALVE BOX	5	BGBEXP12.75	6	BGBPLATE-11.50
#200 & #201 11-3/4" SQUARE HEAD VALVE BOX	5	BGBEXP12.75	6	BGBPLATE-11.50
12" RD RIM	5	BGBEXP12.75	5	BGBPLATE-10.75